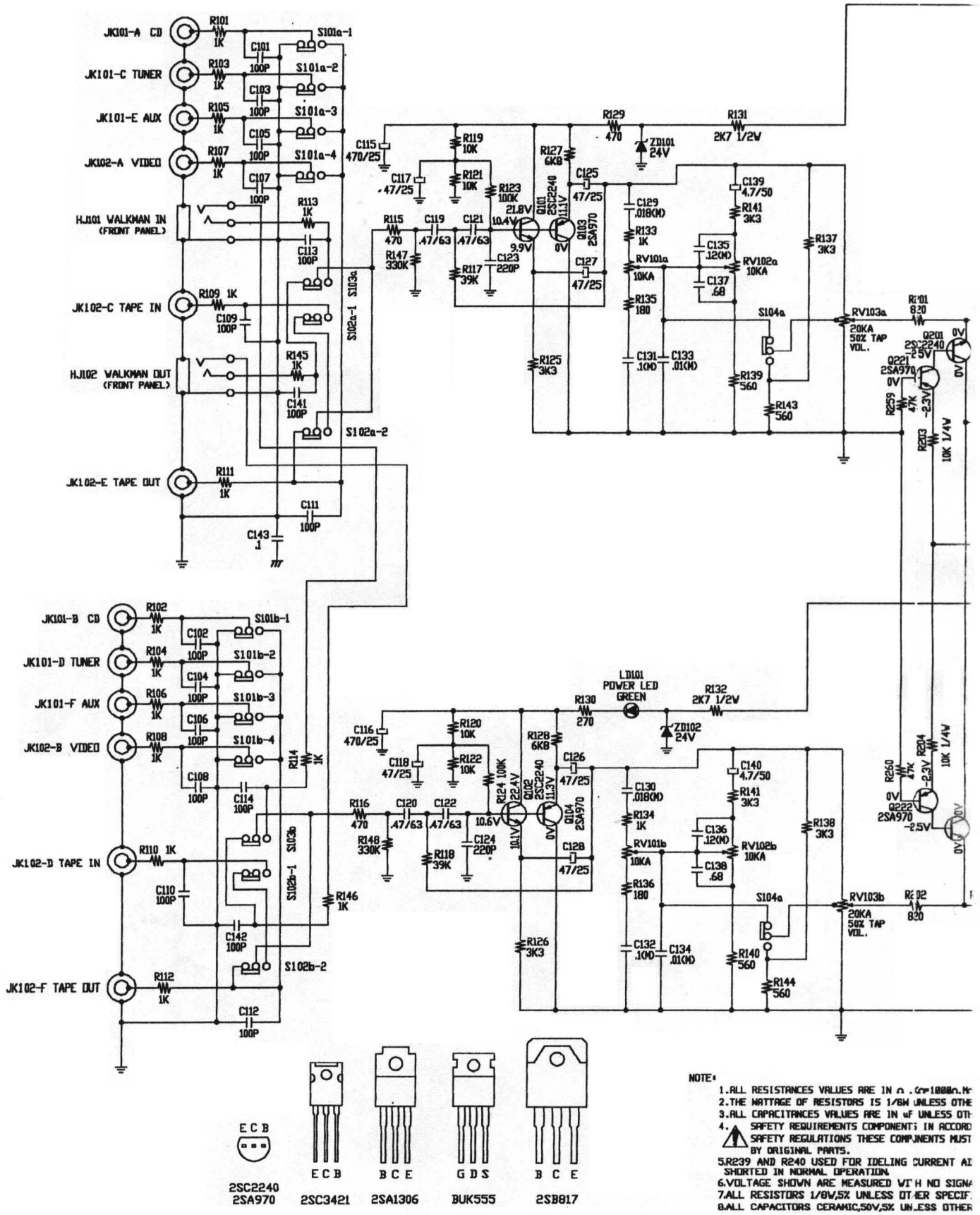
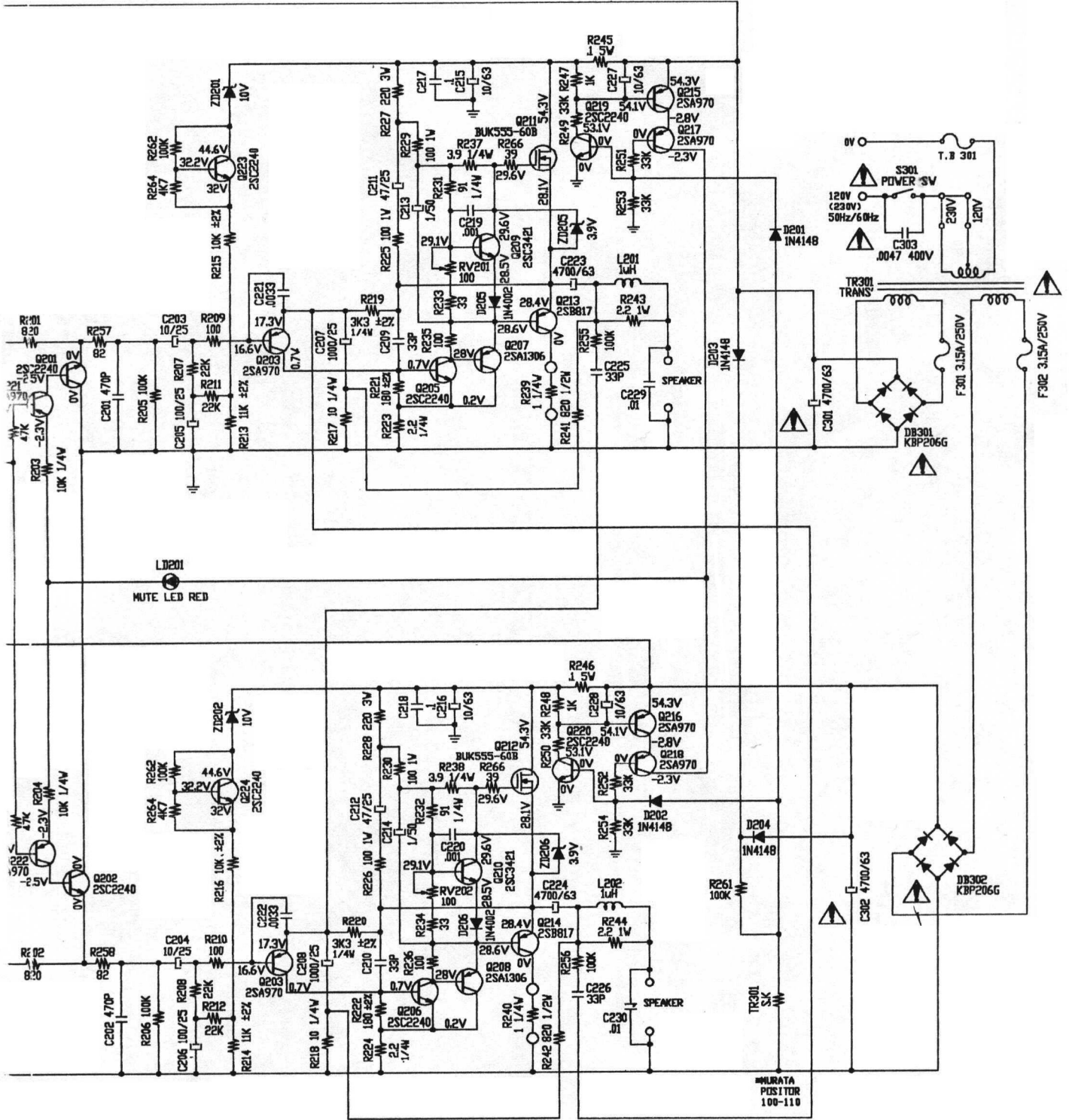


SCHEMATIC DIAGRAM





R = RESISTOR
 C = CAPACITOR
 W = WATT
 UNLESS OTHERWISE NOTED.
 V = VOLTS
 UNLESS OTHERWISE NOTED, P = WATT.
 VALUES IN ACCORDANCE WITH PRESENT
 COMPONENTS MUST ONLY BE REPLACED

ING CURRENT ADJUST ONLY MUST BE
 WITH NO SIGNAL APPLIED.
 : OTHER SPECIFIED.
 X UNLESS OTHER SPECIFIED.